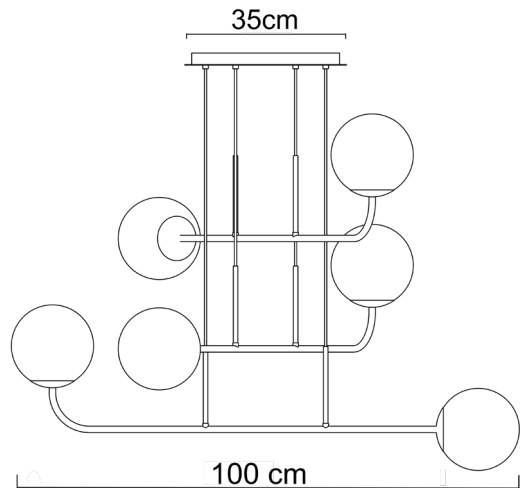


EVA/S

hanging lamp



The collection of spherical lamps, Eva, offers an elegant variety of finishes, including petroleum, bronze, smoke, and amber, all fading into a delicate milky white.

This range of colors creates a sophisticated and refined atmosphere, allowing you to personalize and illuminate any space with style.

1102	EVA/S
Power	6 x max 26W
Input	220/240 V - 50/60Hz
Lampholder	E27 - Bulb not included
IP	20

Item do not completed of glass, check at pag. 44 of catalogue

PACKAGING DATA :

Packages	1
Net Weight	2,0kg
Gross Weight	3,1kg
Volume	0,0880 m ³

Any interventions on the light source of this article must be carried out by qualified personnel or by the manufacturer himself.
Any operation carried out without prior consultation with Contemporanea srl will void the guarantee

CE [EAC] RoHS

MATERIAL :

Frame	Metal
Diffuser	Glass

FINISHING TABLE :

Frame	 Brushed Brass
-------	---